

## CWDM ITU Component

### 1. Description

Opfuture's Coarse Wavelength Division Multiplexer(CWDM) devices demonstrate low loss and reliable performances. These devices show broad passband and high isolation ,making them ideal for operation with inexpensive, uncooled lasers .They are low cost products for the CATV and metro/access markets easily customizable, Opfuture's CWDMs can be configured from a standard list of packaging and connector options

Opfuture provides whole series of Module products that are tailored for specific applications.

### 2. Features

- Low Insertion Loss
- High Isolation
- Low PDL
- Compact Design
- Wide Operating Wavelength
- Wide Operating Temperature
- High Reliability and Stability

### 3. Applications

- CWDM System
- Access networks
- CATV Links
- Enterprise networks
- Metro WDM Systems

### 4. Compliance

- Telcordia GR-1209-CORE
- Telcordia GR-1221-CORE
- RoHS



## 5. Specifications

### CWDM ITU Component

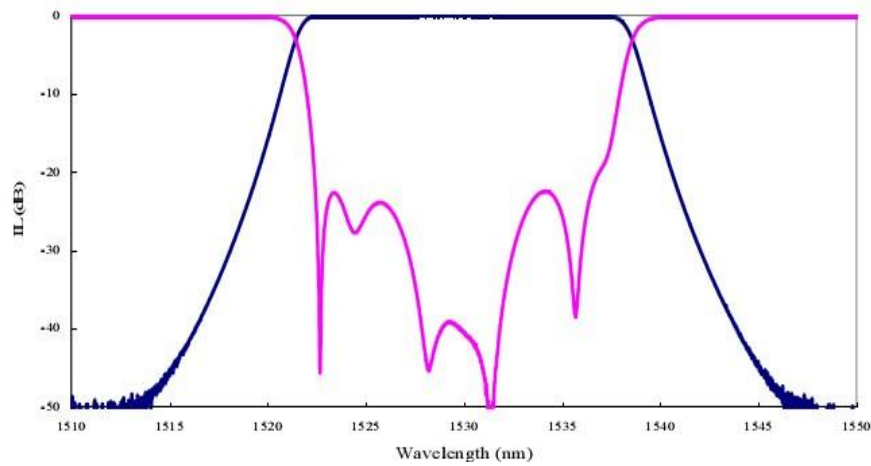
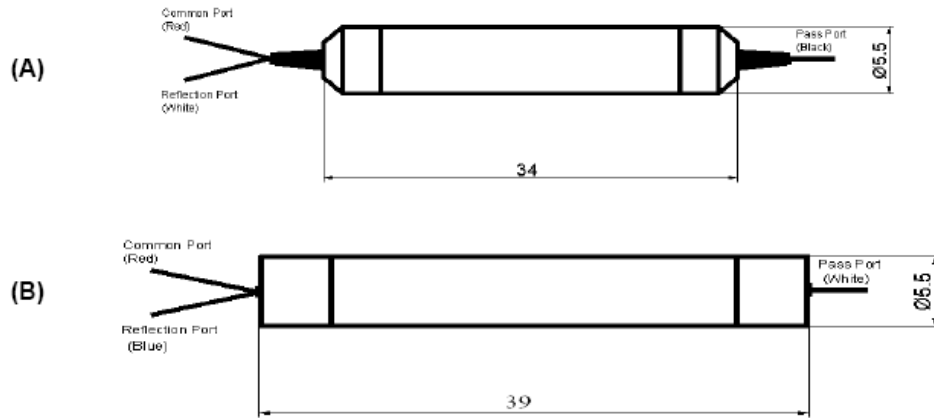
Item	Unit	Parameters	
Channel Spacing		20nm ITU grids	
Wavelength Range	nm	1460 to 1620	1260 to 1620
Channel Centers(ITU or ITU+1)	nm	1470...1610	1270...1610
		1471...1611	1271...1611
Passband	nm	+/- 6.5	
Passband Ripple	dB	≤0.30	
Transmission IL	dB	≤0.60	
Reflection IL	dB	≤0.40	
Reflection Band Ripple	dB	≤0.20	
Transmission Isolation (Adj channel)	dB	≥30	
Transmission Isolation (Non-adj channel)	dB	≥40	
Reflection Isolation	dB	≥13	
Polarization Dependent loss	dB	≤0.05	
Thermal Stability	dB/°C	≤0.005	
Directivity	dB	≥50	
Return loss	dB	≥45	
Maximum Optical Power	mw	≤500	
Operating Temperature	°C	-5 to +70	
Storage Temperature	°C	-40 to +85	
Fiber Type		G652D or Customized	
Package Dimension	mm	Φ5.5×34(A)/ 250um bare fiber	
	mm	Φ5.5×39(B)/900um loose tube	

Notes:

1. Specified without connectors.
2. Add an additional 0.2dB loss per connector.

### 6. Mechanical Dimensions

#### CWDM ITU Component



## 7. Ordering information

OCD - □ □ □ □ □- □/ □/ □  
**A B C D E F G H**

<b>A</b>	Port Type: 01=1x1 02=1x2
<b>B</b>	WDM Type: C= Half band CWDM Q= Full band CWDM
<b>C</b>	Center Wavelength: 47=1470/1471nm 49=1490/1491nm ... .. 61=1610/1611nm
<b>D</b>	Fiber Type: B=250um bare fiber L=900um Loose tube T=900um Tight tube
<b>E</b>	Fiber Length: 1.0=1.0m 1.2=1.2m 1.5=1.5m
<b>F</b>	COM Connector: FC/UPC, FC/APC, SC/UPC, SC/APC, LC/UPC, LC/APC
<b>G</b>	Pass Connector: FC/UPC, FC/APC, SC/UPC, SC/APC, LC/UPC, LC/APC
<b>H</b>	Ref Connector: FC/UPC, FC/APC, SC/UPC, SC/APC, LC/UPC, LC/APC

E-mail: [sales@op-future.com](mailto:sales@op-future.com)  
 Web : <http://www.op-future.com>