

Optical Switch

1. Features

- High crosstalk
- Compact package
- Low insertion loss & PDL

2. Applications

- OXC, OLP, ROADM
- Wavelength switch of testing system
- Channel switch of optic sensor system

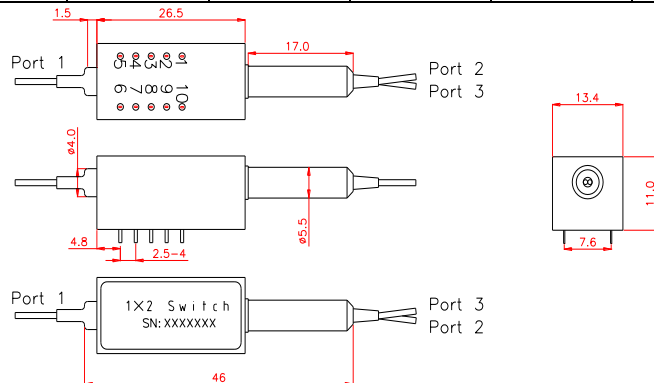
3. Specifications

| Parameter | Value | |
|----------------------------|--------------------------|---------------|
| Port Type | 1x1, 1x2 | |
| Band | Single Band | Dual Band |
| Wavelength (nm) | 1310 or 1550 | 1310/1550 |
| Insertion Loss (dB) | ≤0.5(Typ 0.4) | ≤0.7(Typ 0.5) |
| Cross Talk (dB) | ≥55 | ≥55 |
| Return Loss (dB) | ≥55 | ≥55 |
| Repeatability (dB) | ≤±0.05 | |
| Switch Time (ms) | 10 | |
| Lifetime (cycle) | >1,000,000 | |
| Switch mode | Latching or Non-latching | |
| Operating Temperature (°C) | -15 ~ +70 | |
| Storage Temperature (°C) | -40 ~ +85 | |
| Drive Voltage (V) | 5 ±0.5 DC or 5V Pulse | |
| Work Current (mA) | <50 | |
| Fiber Type | SMF-28e | |
| Dimension (LxMxH) (mm) | (L)26.5×(W)13.4×(H)11 | |

5. Mechanical Dimensions

Electrical Drive

| Optical Path | Electrical Drive | | Status Sensor | | | | | |
|--------------|------------------|----------|---------------|------|--------|--------|--------|--------|
| | Pin1 | Pin10 | Pin5 | Pin6 | Pin2-3 | Pin3-4 | Pin7-8 | Pin8-9 |
| 1-2 | +V Pulse | GND | N/A | N/A | open | close | close | open |
| 1-3 | GND | +V Pulse | N/A | N/A | close | open | open | close |



E-mail: sales@op-future.com
 Web : <http://www.op-future.com>