


Polarization Maintaining Optical Switch (1x1, 1x2)

Features	
Low Insertion Loss、 High crosstalk Compact package	
Application	
Cofiguratable OADM Optical Cross and connection system Network Monitor Optical fiber ring protection	

Specifications

Parameter	Value	
Type	1x1, 1x2	
Wavelength (nm)	1310 or 1550	1064
Insertion Loss (dB)	≤0.55 (Typ 0.4)	≤0.80 (Typ 0.6)
Extinction Ratio (dB)	18	16
Cross Talk (dB)	≥55	
Return Loss (dB)	≥55	
Repeatability (dB)	≤±0.05	
Switch Time (ms)	10	
Lifetime (cycle)	>1,000,000	
Switch mode	Latching or Non-latching	
Operating Temperature (°C)	-5 ~ +70	
Storage Temperature (°C)	-40 ~ +85	
Drive Voltage (V)	5 ±0.5 DC or 5V Pulse	
Work Current (mA)	<50	
Fiber Type	1310 or 1550nm PM panda fiber	980nm PM panda fiber
Dimension (LxMxH) (mm)	(L)26.5×(W)13.4×(H)11 (P2)	

*Above specifications are for devices without the connectors.

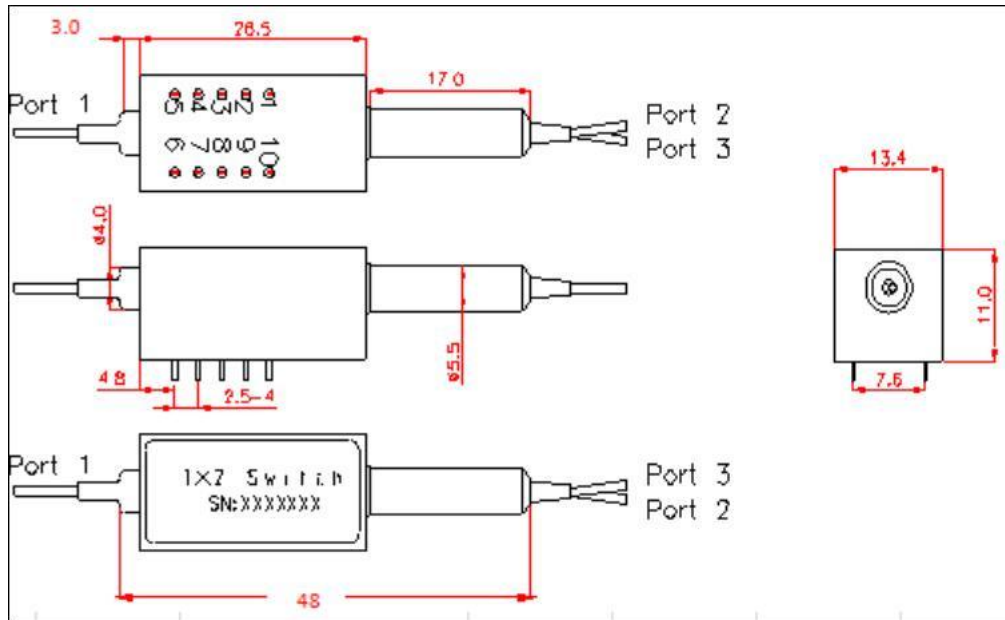
*For devices with connectors, IL will be 0.3dB higher, RL will be 5dB lower, and ER will be 2dB lower.

*The PM fiber and the connector key are aligned to the slow axis.

Electrical Drive

Optical Path	Electrical Drive		Status Sensor					
	Pin1	Pin10	Pin5	Pin6	Pin2-3	Pin3-4	Pin7-8	Pin8-9
1-2	+V Pulse	GND	N/A	N/A	open	close	close	open
1-3	GND	+V Pulse	N/A	N/A	close	open	open	close

Package Dimension



Ordering Information

PMSW	Wavelength	Type	0	Mode	Fiber Type	Pigtail Type	Length	Connector
	1064=1064nm 1310=1310nm 1550=1550nm	1=1x1 2=1X2		L=Latching N=Non-Latching	1=PM1310 2=PM1550 3=PM1064	1=250um bare fiber 2=900um loose tube	H=0.5m 8=0.8m 1=1.0m 5=1.5m 2=2.0m 3=3.0m 4=4.0m A=2.5m B=5.0m	0=None 1=FC/UPC 2=FC/APC 3=LC/UPC 4=LC/APC 5=SC/APC 6=SC/UPC